

Touch Screen Programmable Controller PCT-200

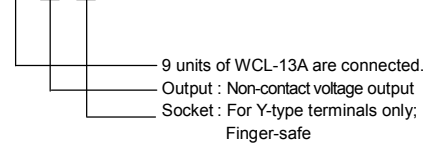
- Easy to view & operate via Touch Screen
- Choose from 4 languages (Japanese, English, Chinese, Korean)
- Fast sampling period: 25 ms
- Large capacity memory: 100 patterns, 100 steps
- Logging data can be saved on USB memory stick (Recorders unnecessary)
- Data can be loaded from USB memory stick.

Model

PCT-20			□ - □ - □
Temperature control module	1 to 9		Number of connected WCL-13A units
Control output	R		Relay contact output (WCL-13A-RA/MM PCT)
	S		Non-contact voltage output (WCL-13A-SA/MM PCT)
	A		Direct current output (WCL-13A-AA/MM PCT)
Temperature control module Socket	1		For Y-type terminals only; Finger-safe (ASK-001-1)
	2		For Y-type and ring terminals (ASK-002-1)

Ordering Example

PCT-20 9 - R - 1

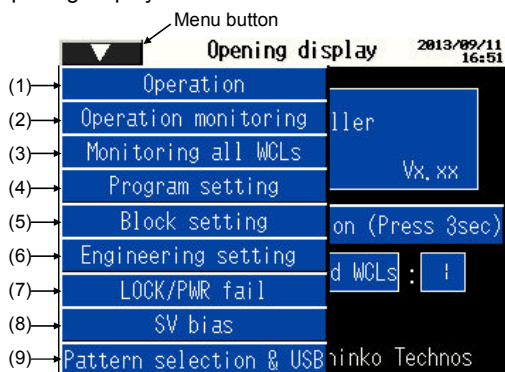


Specifications

Temperature control module	For details, refer to the catalog of the WCL-13A.	
Input	Thermocouple, RTD, Direct current, DC voltage	
Program Performance	Number of Patterns:	100 patterns
	Number of Steps:	100 steps
	Number of Repetition:	0 to 99 times
	Program Time Range:	0 to 99 min 59 sec/Step or 0 to 99 hr 59 min/step
	Time Setting Accuracy:	Timer accuracy (±65 sec/month at 10 to 40 °C)
	Wait Block Parameters:	Setting range: 0 to 1000 (Decimal point depends on the input range.)
	Block Setting:	PID block (10 types), Time signal block (16 types), Wait block (10 types), Alarm block (10 types)
	Time Signal:	20 points (Open collector output)
Alarm Output:	4 points (Open collector output)	
Pattern End Output:	1 point (Open collector output)	
External Operation Input:	Pattern selection (Selects 1 to 100 pattern numbers via BCD code, BCD 8-point input) Start, Stop, Advance, Fast (speeds up program progression.)	
Power Supply	100 to 240 V AC	
Mounting	Touch Screen: Flush	Temperature control module: DIN rail
External Dimensions	Touch Screen: W167.5 x H135 x D78 mm	Temperature control module: W30 x H88 x D108 mm (including socket)
Weight	Touch Screen: 1.0 kg or less	Temperature control module: Approx. 200 g (including socket)

Touch Screen Monitoring Display

Opening display



By pressing the Menu button in the Opening display, windows from (1) to (9) are displayed.
For the setting method from (1) to (9), see the Instruction Manual.

	Window Name	Setting Contents
(1)	Operation	Operated by pressing buttons, and control status is displayed.
(2)	Operation monitoring	Program pattern graph is displayed.
(3)	Monitoring all WCL units	Indicates PV, SV and MV of the connected WCL-13A units.
(4)	Program setting	Sets program pattern and steps.
(5)	Block setting	Sets Time signal block, PID block, Wait block and Alarm block.
(6)	Engineering setting	Sets alarm type, alarm hysteresis, proportional cycle and sensor correction value.
(7)	Setting lock selection, Selection after power restoration	Unlocks, or locks all setting contents so that they cannot be changed. Selects RUN/STOP after power restoration.
(8)	SV bias setting	Sets SV bias from the second WCL-13A and all following units.
(9)	Pattern selection & USB management	Selects the pattern number. Reads/Writes data from/on the USB memory stick.

Contents of Package

When delivered, check that the following contents to confirm that all items you have ordered are contained.
Consult us regarding the wiring-completed (customized) products.

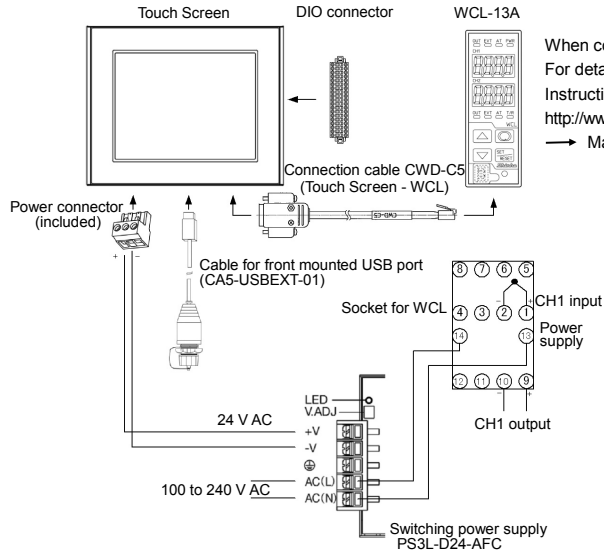
	Model	Quantity
Touch Screen	LT-3300-S1-D24-K	1
Temperature control module (*1)	WCL-13A-□A/MM PCT	1 to 9 (*2)
Connection cable (Between Touch Screen - WCL-13A)	CWD-C5	1
Connection cable (Between WCL-13As)	CDD	(*3)
Switching power supply 24 V DC	PS3L-D24-AFC	1
Cable for front mounted USB port	CA5-USBEXT-01	1
EX module	EXM-DDO16UK	1
MIL socket connector harness	HIFS-SY-SB-20-5	1
USB memory stick	MF-SU202GWH	1
Socket (*1)	ASK-00□-1	(*3)

(*1) Specify one when ordering. When WCL units are connected, their specifications should be the same.

(*2) For Instrument Number setting for the WCL-13A, start from 1 (one) and progress chronologically.

(*3) When multiple WCL units are ordered, corresponding amount of cables and sockets are included.

Configuration Example



When connecting multiple WCL-13A units, use included CDD cable.
 For details, refer to the Instruction Manual for the WCL-13A.
 Instruction Manual for the WCL-13A can be downloaded from Shinko Website.
<http://www.shinko-technos.co.jp/e/> → Support & Downloads → Downloads
 → Manuals

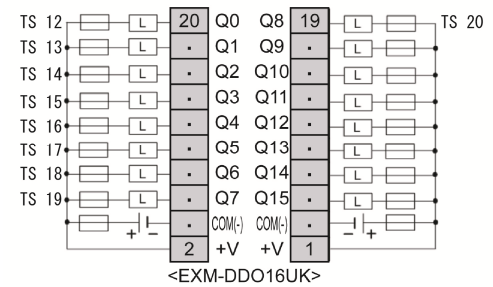
■ Touch screen Terminal Arrangement (For details, refer to LT3300 Series Hardware Manual.)

DIO Connector

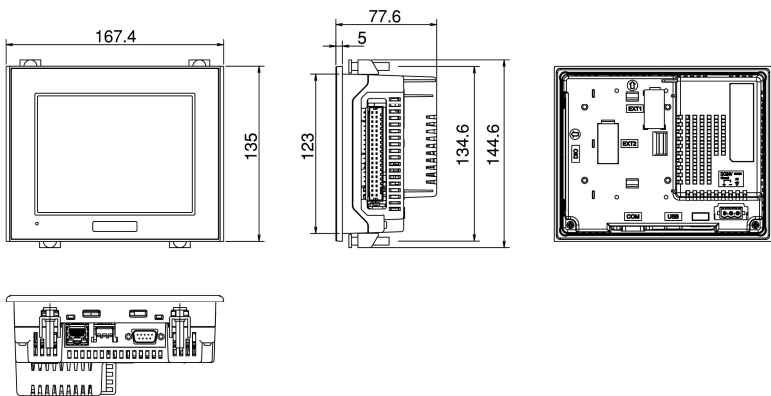
Pin Connection	Pin No.	Signal Name	Pin No.	Signal Name
	A1	IN1	B1	IN0
	A2	IN3	B2	IN2
	A3	IN5	B3	IN4
	A4	IN7	B4	IN6
	A5	IN9	B5	IN8
	A6	IN11	B6	IN10
	A7	IN13	B7	IN12
	A8	IN15	B8	IN14
	A9	NC	B9	COM
	A10	Sink output type: NC	B10	Sink output type: +24 V
	A11	Sink output type: 0 V	B11	Sink output type: 0 V
	A12	OUT1	B12	OUT0
	A13	OUT3	B13	OUT2
	A14	OUT5	B14	OUT4
	A15	OUT7	B15	OUT6
	A16	OUT9	B16	OUT8
	A17	OUT11	B17	OUT10
	A18	OUT13	B18	OUT12
	A19	OUT15	B19	OUT14

(*) Contact CLOSED: RUN, Contact OPEN during RUN: HOLD

EX Module Connector



■ Touch Screen External Dimensions (Scale: mm)



■ Panel Cutout (Scale: mm)

Panel thickness: 1.6 to 5.0 mm

