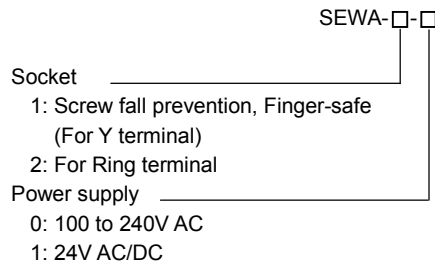


2-output Isolator (With Indication Function)

Model: **SEWA**

Model



How to Order

Specify a model. (e.g.) SEWA-1-0

Factory Default Value:

Input	4 to 20mA DC
Output 1	4 to 20mA DC
Output 2	4 to 20mA DC

Accessories (Sold Separately)

		Model	Spec
Shunt resistor	Ring terminal	RES-S01-050	50Ω ±0.1%
		RES-S01-100	100Ω ±0.1%
		RES-S01-200	200Ω ±0.1%
		RES-S01-01K	1kΩ ±0.1%
	Y terminal	RES-S06-050	50Ω ±0.1%
		RES-S06-100	100Ω ±0.1%
		RES-S06-200	200Ω ±0.1%
		RES-S06-01K	1kΩ ±0.1%

Communication cable to connect console software: CMB-001

Input Specifications

DC Current

Input range	Shunt resistor
4 to 20mA DC	50Ω
0 to 20mA DC	
0 to 16mA DC	100Ω
2 to 10mA DC	
0 to 10mA DC	
1 to 5mA DC	200Ω
0 to 1mA DC	1kΩ

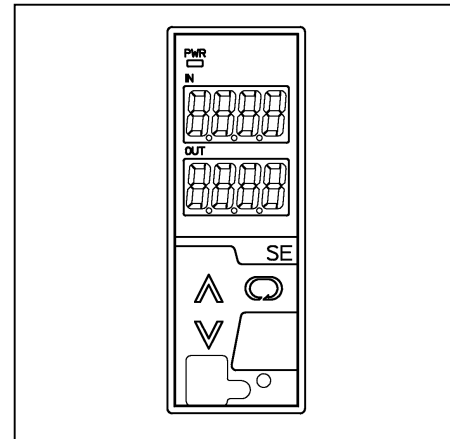
Connect a shunt resistor (sold separately) between input terminals.

Output Specifications

When the output range lower limit is zero, (even if zero adjustment results in a negative value), the output value will not be negative.

DC Current

Output range	Allowable load resistance	Zero adjustment range	Span adjustment range
4 to 20mA DC	700Ω or less	-5 to 5%	95 to 105%
0 to 20mA DC	700Ω or less	0 to 5%	95 to 105%
0 to 12mA DC	1.2kΩ or less	0 to 5%	95 to 105%
0 to 10mA DC	1.2kΩ or less	0 to 5%	95 to 105%
1 to 5mA DC	2.4kΩ or less	-5 to 5%	95 to 105%



DC Voltage

Output range	Allowable load resistance	Zero adjustment range	Span adjustment range
0 to 1V DC	100Ω or more	0 to 5%	95 to 105%
0 to 5V DC	500Ω or more	0 to 5%	95 to 105%
1 to 5V DC	500Ω or more	-5 to 5%	95 to 105%
0 to 10V DC	1kΩ or more	0 to 5%	95 to 105%

Performance

Basic accuracy (at 23°C of ambient temperature)

- Input: Within ±0.1%
- Output: Within ±0.1%

Indication accuracy: Within Basic input accuracy ±1 digit

Input sampling period: 25ms, 125ms, 250ms (Selectable by the keypad)

Response time: (Selectable by the keypad)

65ms (typ.) (0→90%) (Input sampling period: 25ms)

225ms (typ.) (0→90%) (Input sampling period: 125ms)

425ms (typ.) (0→90%) (Input sampling period: 250ms)

Temperature coefficient: ±0.015%/°C or less

Insulation resistance: 10MΩ or more, at 500V DC

(Input - Output - Power)

Dielectric strength: 2.0kV AC for 1 minute

(Input - Output - Power)

General Structure

Case: Flame-resistant resin Color: Light gray

Front panel: Membrane sheet

Setting: Using front keypad

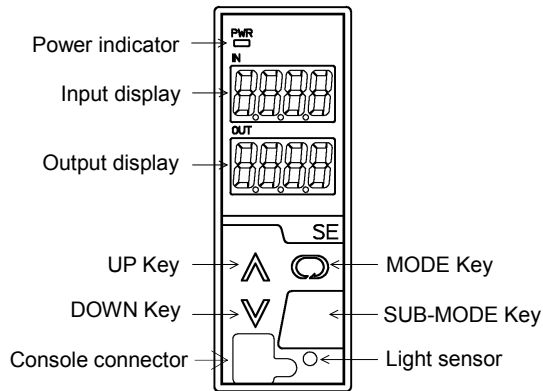
Connector for console software: Only CMB-001 cable usable

Displays and Indicators:

Input display: 7-segment Red LED display 4-digit,
Character size: 10 x 4.6mm (H x W)

Output display: 7-segment Red LED display 4-digit,
Character size: 10 x 4.6mm (H x W)

Power indicator: Green LED



■ Installation Specifications

- Power supply: 100 to 240V AC 50/60Hz
24V AC/DC 50/60Hz
- Allowable voltage range: 85 to 264V AC
20 to 28V AC/DC
- Power consumption: Approx. 8VA
- Ambient temperature: -5 to 55°C
- Ambient humidity: 35 to 85%RH (non-condensing)
- Weight: Approx. 190g (including socket)
- Mounting: DIN rail
- Dimensions: W30 x H88 x D108mm (including socket)

■ Attached Functions

- Light sensor: Automatically measures and controls brightness of the displays, saving energy.
- Power failure countermeasure:
The data is backed up in non-volatile IC memory.
- Self diagnosis: The CPU is monitored by a watchdog timer, and when an abnormal status is found on the CPU, the unit is switched to warm-up status turning all outputs OFF.

■ Environmental Specification

RoHS directive compliance

■ Settings

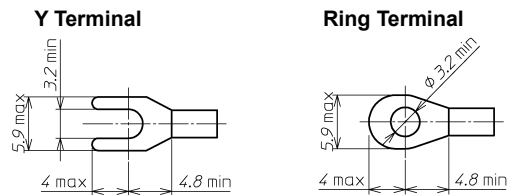
Function Keys

- (1) UP Key: Increases numeric value.
- (2) DOWN Key: Decreases numeric value.
- (3) MODE Key: Selects a setting mode.
- (4) SUB-MODE Key: Lights the displays again when in unlit status.

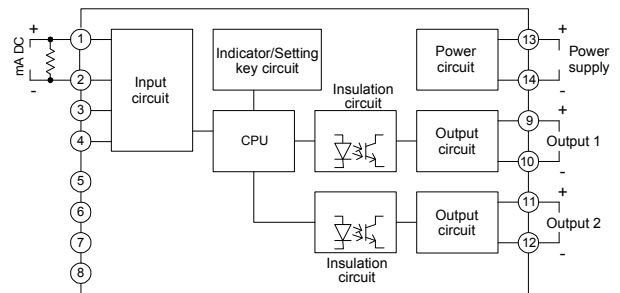
■ Displays and Indicators

- Input display: Indicates the input value.
 - Indication of -2000 or less: The minus (-) sign and input value light alternately.
 - Indication of 10000 or more: The lower 4 digits flash.
 - Under range: “- - - -” flashes on the Input display.
 - Over range: “- - - -” flashes on the Input display.
- Warm-up indication:
For approx. 3 seconds after the power to the instrument is turned on, input type is indicated on the Input display, and Output 1 type is indicated on the Output display.
- Output display: Indicates the output volume in percentage (%) form.
- Power indicator: A green LED is lit when the power to the instrument is turned on.

■ Solderless Terminals



■ Circuit Configuration, Terminal Arrangement



■ External Dimensions (Scale: mm)

