

CONSOLE UNIT FOR DCL-33A

OMR-100



Features

OMR-100 is an exclusive console unit for the DCL-33A. This makes your monitoring system compact, with up to 10 control points, yet allows significant cost-benefit control.

Standard specifications

- Display**
 - PV [Red 4-digit, character size: 8×4mm (H×W)]
 - SV [Green 4-digit, character size: 8×4mm (H×W)]
 - CH [Yellow 1-digit, character size: 8×4mm (H×W)]
- Indicator**
 - ALM : A red LED lights when alarm output is ON.
 - OUT : A green LED lights when control output is ON.
 - ERR : Blinks every 2 seconds if serial communication errors occur.
 - SB : A red LED lights when sensor is burnt out.
 - INITIAL : A yellow LED lights when reading a setting value.
 - TX/RX : A yellow LED lights during serial communication (TX).
 - AT : A yellow LED lights during auto-tuning.

Alarm output Turns ON when alarm is activated (Common to all channels).
 Relay contact, 1a
 Control capacity, 3A 250V AC (resistive load),
 1A 250V AC (inductive load $\cos \phi = 0.4$)

Serial communication

- Communication line : Based on RS-485
- Communication method : Half-duplex communication start-stop synchronous
- Communication speed : 19200bps
- Data format : Start bit 1, Data bit 7, Parity Even, Stop bit 1
- Transmitted contents : SV, Alarm setting value, OUT proportional cycle value, OUT proportional band value, Integral time value, Derivative time value, ARW value, Manual reset value, AT value
- Received contents : Transmitted contents above, Control input value, Status flag (Output status, Overscale, Underscale, During AT)
- Communication error output : Turns ON when communication errors occur.
 Relay contact, 1a
 Control capacity, 3A 250V AC (resistive load)
 1A 250V AC (inductive load $\cos \phi = 0.4$)

Supply voltage 100 to 240V AC 50/60Hz, 24V AC/DC 50/60Hz
 (For supply voltage, the standard is 100 to 240V AC. However, when ordering 24V AC/DC, enter "1" after model name OMR-100.)
 Allowable fluctuation range: 85 to 264V AC, 20 to 28V AC/DC
 10MΩ or greater at 500V DC

Isolation resistance Between power terminal and ground terminal 1.5kV AC for 1 minute
 Between power terminal and communication terminal 1.5kV AC for 1 minute
 Between communication terminal and ground terminal 1.5kV AC for 1 minute

Environment Ambient temperature: 0 to 50°C,
 Ambient humidity: 35 to 85%RH (Non-condensing)

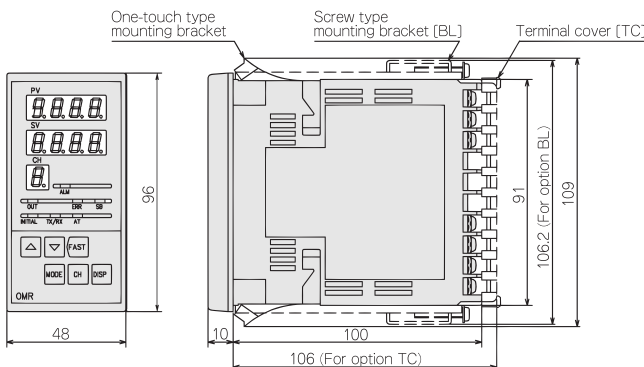
Power consumption Approx. 5VA

Weight Approx. 320g

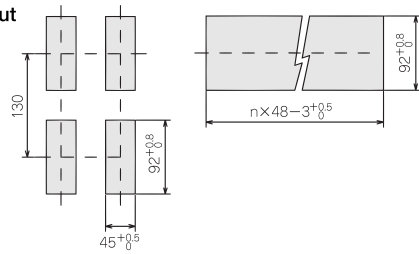
External dimension 48×96×100mm(W×H×D)

Attached functions Self diagnosis, Warm-up indication, Error indication when changing setting value, Indicated value when communication errors occur
Options Mounting bracket [BL]: Mountable panel thickness, Within 1 to 15mm
 Dust-proof/Drip-proof [IP]: IP54
 Terminal cover [TC]: Electric shock protection terminal cover

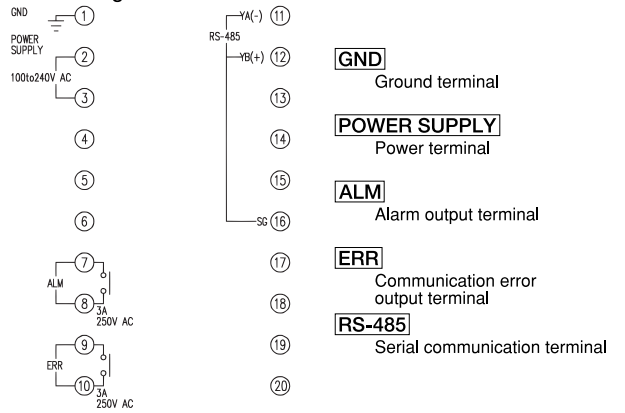
External dimensions



Panel cutout

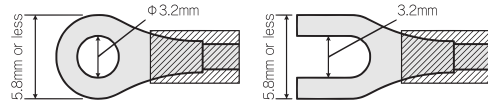


Terminal arrangement

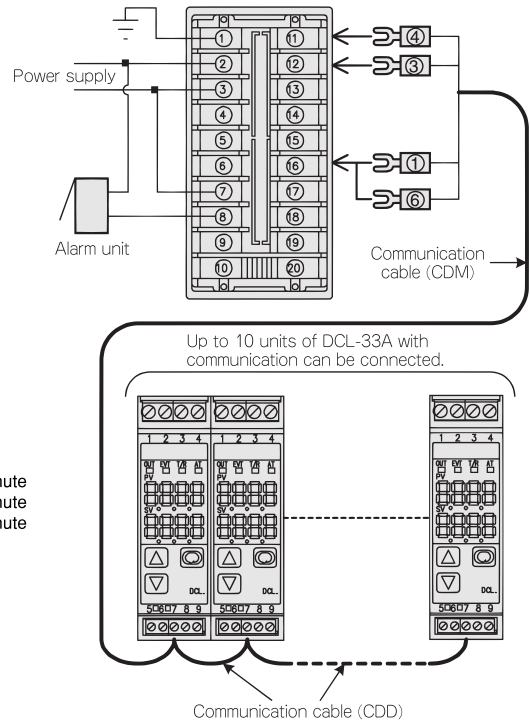


Solderless terminal

Use a solderless terminal with isolation sleeve that fits in the M3 screw as shown below. The tightening torque should be 0.6N·m to 1.0N·m.



Configuration example



• This catalog is as of Oct. 2002, and its contents are subject to change without notice.
 • If you have any inquiries, please consult us or our agency.